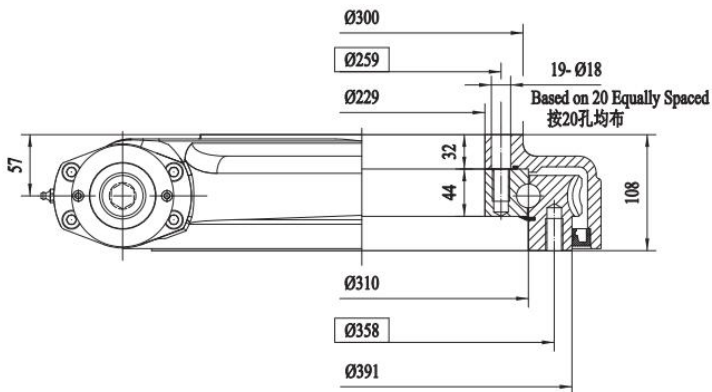
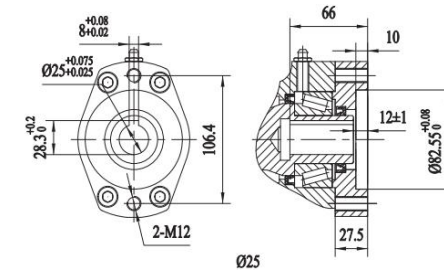
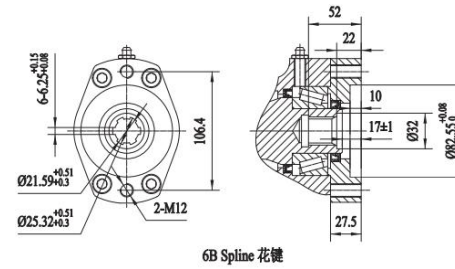
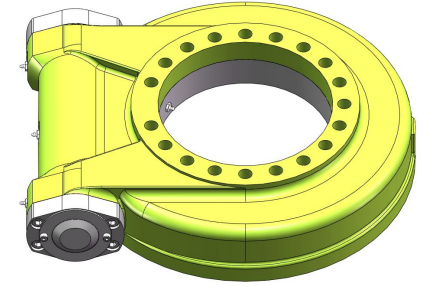
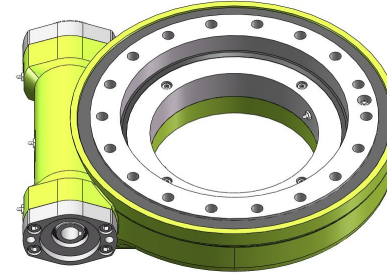
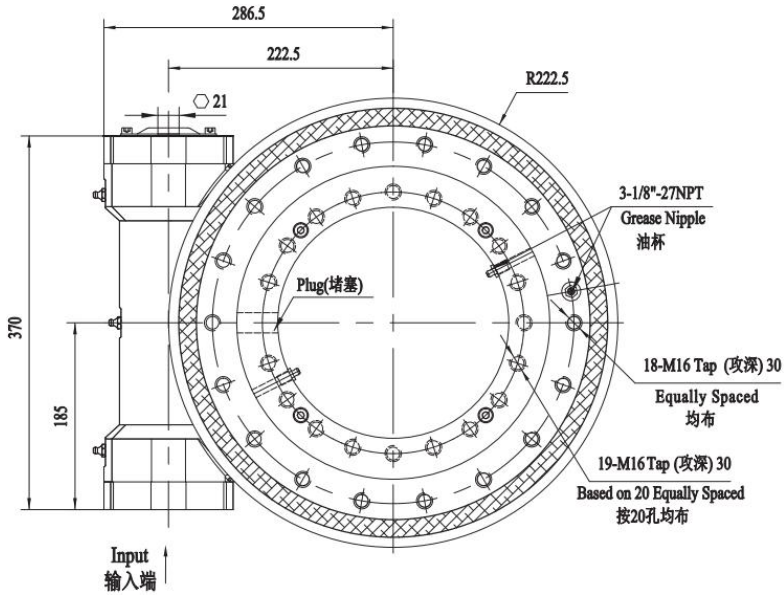


WEA12



项目/Item WEA12	数值 Value	单位 Unit
输出转矩/Output Torque	9.5	kN.m
倾覆力矩/Tilting Moment Torque	57	kN.m
保持力矩/Holding Torque	43	kN.m
轴向静载荷/Static Axial Rating	760	kN
径向静载荷/Static Radial Rating	280	kN
轴向动载荷/Dynamic Axial Rating	190	kN
径向动载荷/Dynamic Radial Rating	148	kN
减速比/Gear Ratio	79:1	—
精度等级/Tracking Precision	≤0.15	°
重量/Weight	66.8	kg

载荷曲线图/MOMENT LOAD CHART

