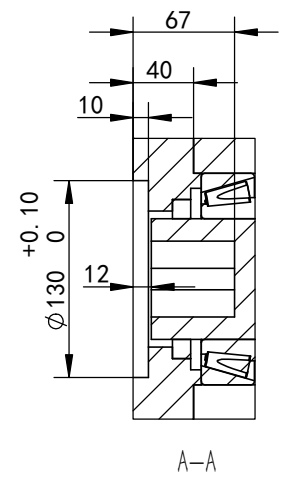
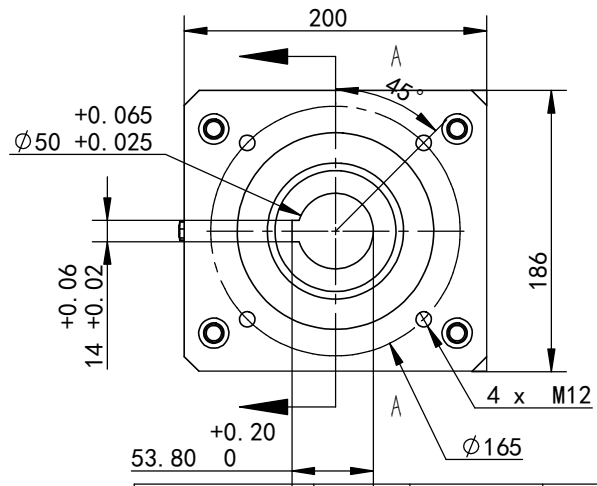
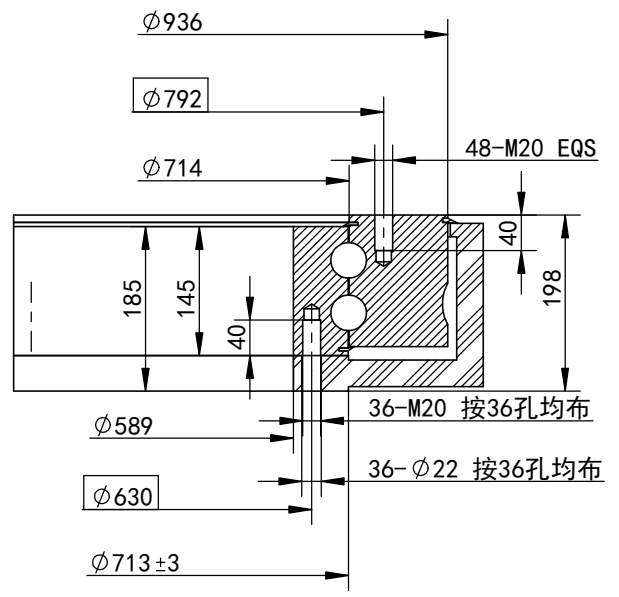
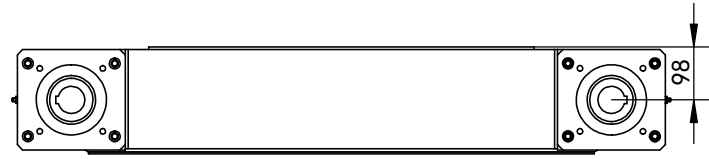
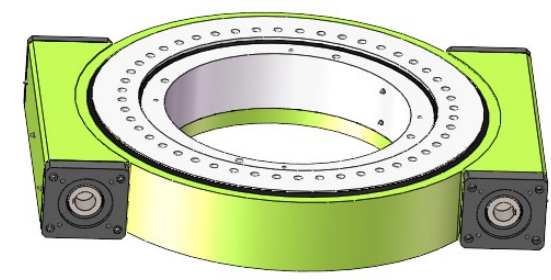
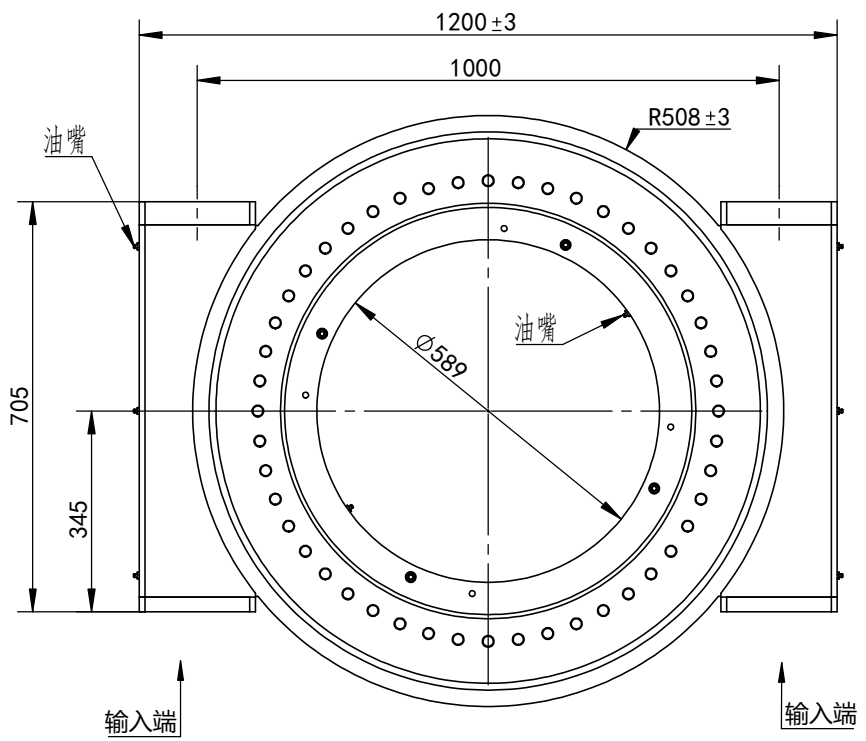

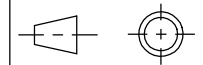


M	12
Z1	1
Z2	75
i	75
材质: 42CrMo Q+T	



REV	DATE	REVISER	DESCRIPTION			
DESIGNED BY	Lee	22.10.14	 不二传动设备(洛阳)有限公司 www.U-Transmission.com			
CHECKED BY	Bailey	22.10.14				
APPROVED BY	Lane	22.10.14				
DRAWING REV	NO.	REV.A	WEIGHT	869kg	Title	回转式减速器
NON-STANDARD	NO.	xxxx	SACLE	1:3		
SYMBOLS ISO			SIZE	A3	Model No.	WZ-III-0713-50-2-75.0 -E-xxxx-A
			SHEET	1/1		